

ECO



DUO^{Mk5}

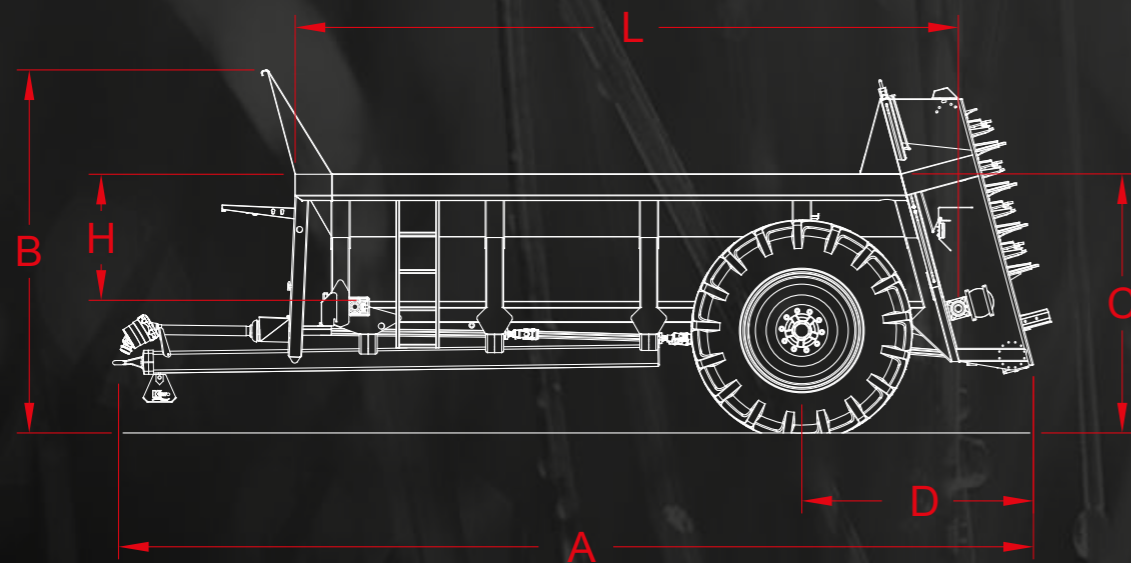


	MODEL		
	50-8	60-9	75-11
Design capacity (kg)	5,000	6,000	7,500
Volume - Level filled (m ³)	4.2	4.9	6.3
Volume - Level 225mm ext. (m ³)	5.6	6.5	8.2
Volume - Max. heaped (m ³)	7.8	9.0	10.8
Axle beam (mm)	80 × 80	80 × 80	80 × 80
No. of axle studs / brake size (mm)	8 / 355 × 80	8 / 355 × 80	8 / 355 × 80
Standard wheels	16.9 × 30 14PR	16.9 × 30 14PR	18.4 × 34 14PR
No. of floor chains / chain size (mm)	2 / 14	2 / 14	2 / 14
Rear floor drive roller diameter (mm)	50	50	50
PTO input speed (rpm)	540	540	540
Power requirement (hp)	75	85	95
Unladen weight (kg)	2,630	3,130	3,680

	mm		ft		mm		ft	
[A] Overall length	5,380	17' 7"	5,880	19' 3"	6,330	20' 9"		
[B] Overall height	2,350	7' 8"	2,350	7' 8"	2,530	8' 3"		
[C] Loading height	1,750	5' 9"	1,750	5' 9"	1,930	6' 4"		
[D] Rear overhang	1,490	4' 11"	1,605	5' 3"	1,745	5' 9"		
[L] Internal length	3,380	11' 1"	3,880	12' 9"	4,330	14' 3"		
[H] Internal height	800	2' 8"	800	2' 8"	900	2' 11"		
Overall width	2,560	8' 5"	2,560	8' 5"	2,600	8' 6"		
Loading width	1,850	6' 1"	1,850	6' 1"	1,950	6' 5"		
Internal width	1,500	4' 11"	1,500	4' 11"	1,500	4' 11"		

	MODEL						
	600	800	900	1000	1100	1200	1400
Design capacity (kg)	6,000	8,000	9,000	10,000	11,000	12,000	14,000
Volume - Level filled (m ³)	5.6	7.4	8.5	9.5	10.3	11.6	12.6
Volume - Level 225mm ext. (m ³)	7.2	9.2	10.6	11.9	12.6	14.1	15.4
Volume - Max. heaped (m ³)	9.8	13.1	15.1	17.0	17.2	19.3	21.0
Axle beam (mm)	120 × 120	120 × 120	120 × 120	120 × 120	120 × 120	120 × 120	120 × 120
No. of axle studs / brake size (mm)	10 / 420 × 180	10 / 420 × 180	10 / 420 × 180	10 / 420 × 180	10 / 420 × 180	10 / 420 × 180	10 / 420 × 180
Standard wheels	420 / 85 R30	460 / 85 R38	460 / 85 R38	520 / 85 R38	520 / 85 R38	580 / 70 R38	580 / 70 R38
No. of floor chains / chain size (mm)	4 / 14	4 / 14	4 / 14	4 / 14	4 / 14	4 / 14	4 / 14
Rear floor drive roller diameter (mm)	50	55	55	55	55	55	60
PTO input speed (rpm)	540	540	540	540	540	540	540
Power requirement (hp)	85	95	105	115	115	130	150
Unladen weight (kg)	4,130	4,350	4,560	5,010	4,870	5,170	5,320

	mm		ft		mm		ft		mm		ft		mm		ft	
[A] Overall length	5,950	19' 6"	6,580	21' 7"	6,980	22' 11"	7,580	24' 10"	6,980	22' 11"	7,580	24' 10"	8,080	26' 6"		
[B] Overall height	2,425	7' 11"	2,980	9' 9"	2,980	9' 9"	3,015	9' 11"	3,215	10' 7"	3,205	10' 6"	3,205	10' 6"		
[C] Loading height	1,850	6' 1"	2,115	6' 11"	2,115	6' 11"	2,150	7' 1"	2,350	7' 9"	2,340	7' 8"	2,340	7' 8"		
[D] Rear overhang	1,540	5'	1,820	6'	1,820	6'	1,920	6' 4"	1,820	6'	1,920	6' 4"	2,120	6' 11"		
[L] Internal length	3,950	13'	4,500	14' 9"	4,900	16' 1"	5,500	18' 1"	4,950	16' 3"	5,550	18' 3"	6,050	19' 10"		
[H] Internal height	875	2' 10"	1,050	3' 5"	1,050	3' 5"	1,050	3' 5"	1,250	4' 1"	1,250	4' 1"	1,250	4' 1"		
Overall width	2,620	8' 7"	2,660	8' 9"	2,660	8' 9"	2,820	9' 3"	2,820	9' 3"	2,880	9' 5"	2,880	9' 5"		
Loading width	2,000	6' 7"	2,100	6' 11"	2,100	6' 11"	2,100	6' 11"	2,200	7' 3"	2,200	7' 3"	2,200	7' 3"		
Internal width	1,500	4' 11"	1,500	4' 11"	1,500	4' 11"	1,500	4' 11"	1,500	4' 11"	1,500	4' 11"	1,500	4' 11"		



ECO	DUO	OPTIONAL EQUIPMENT
■	■	Slurry door
■	■	Wooden extension sides
□	■	Steel extension sides
■	■	Larger wheel equipment
□	■	1,000rpm rotor gearbox
■	■	Wide angle front PTO shaft
□	■	Automatic slip clutch
□	■	Electric in-cab bed speed control
□	■	Rear hitch and ancillaries
□	■	Front marker lights
□	■	Manual screw jack
□	■	Hydraulic jack
□	■	Weigh Cell System



Image shown for illustrative purposes only. K Two reserves the right to alter specifications without notice. Some products pictured herein may include optional equipment.

□ Unavailable ■ Available