

# Rodeo Flat Bed

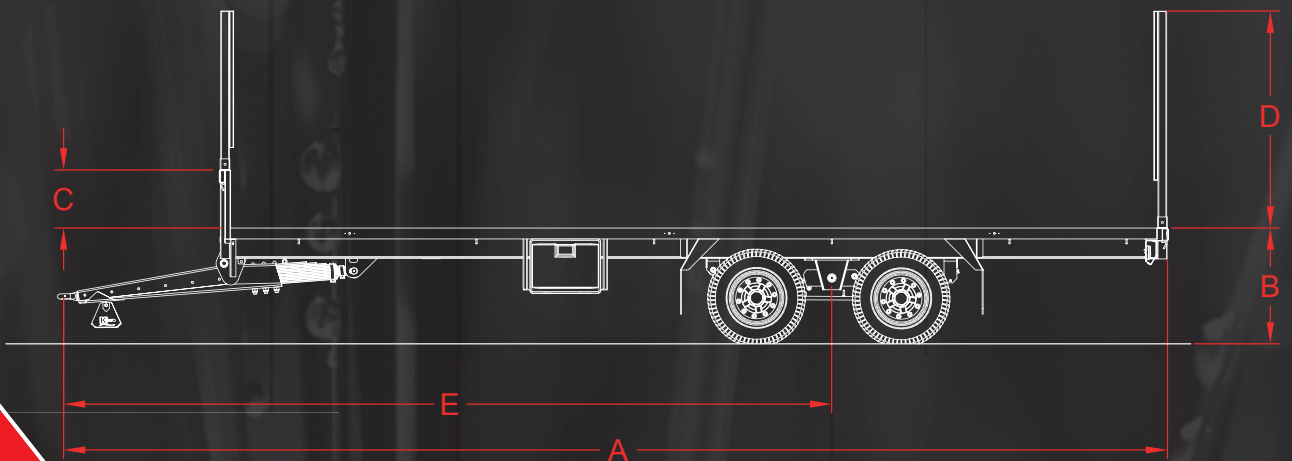


## MODEL

	MODEL							
	FB 26		FB 28		FB 30		FB 32	
Bed length (mm / feet)	7,950 / 26'		8,550 / 28'		9,150 / 30'		9,750 / 32'	
Design capacity (kg)	14,000		14,000		16,000		16,000	
Axle track width (mm)	2,000		2,000		2,000		2,000	
Axle beam (mm)	120 × 120		120 × 120		120 × 120		120 × 120	
Brake size (mm)	420 × 180		420 × 180		420 × 180		420 × 180	
Axle springs - no. of leaves / leaf size (mm)	6 / 100 × 15		6 / 100 × 15		6 / 100 × 15		6 / 100 × 15	
Floor material	Checker plate		Checker plate		Checker plate		Checker plate	
Floor bearer size (mm)	6 × 40 × 4		6 × 40 × 4		6 × 40 × 4		6 × 40 × 4	
Floor bearer spacing (mm)	400		400		400		400	
Chassis size (mm)	203 × 133 × 30 universal beam		203 × 133 × 30 universal beam		203 × 203 × 46 column		203 × 203 × 46 column	
Fixed drawbar	Std.		Std.		Std.		Std.	
Swivel hitch	Std.		Std.		Std.		Std.	
Standard wheels	385 / 65 R22.5		385 / 65 R22.5		385 / 65 R22.5		385 / 65 R22.5	
	mm	ft	mm	ft	mm	ft	mm	ft
[A] Overall length	9,575	31' 5"	10,175	33' 4"	10,775	35' 4"	11,375	37' 4"
[B] Bed height - 445/45 R19.5	1,040	3' 5"	1,040	3' 5"	1,040	3' 5"	1,040	3' 5"
[B] Bed height - 560/45 R22.5	1,165	3' 10"	1,165	3' 10"	1,165	3' 10"	1,165	3' 10"
[C] Front headboard height	610	2' 0"	610	2' 0"	610	2' 0"	610	2' 0"
[D] Bale rave height	2,045	6' 8"	2,045	6' 8"	2,045	6' 8"	2,045	6' 8"
[E] Drawbar / axle wheelbase	5,350	17' 6"	5,550	18' 2"	5,750	18' 10"	5,950	19' 6"
Bed width	2,550	8' 4"	2,550	8' 4"	2,550	8' 4"	2,550	8' 4"
Unladen weight (kg)	4,045		4,125		4,340		4,555	

### SPECIFICATIONS

### DIMENSIONS



[www.ktwosales.co.uk](http://www.ktwosales.co.uk)

DESIGNED TO PERFORM  
BUILT TO LAST